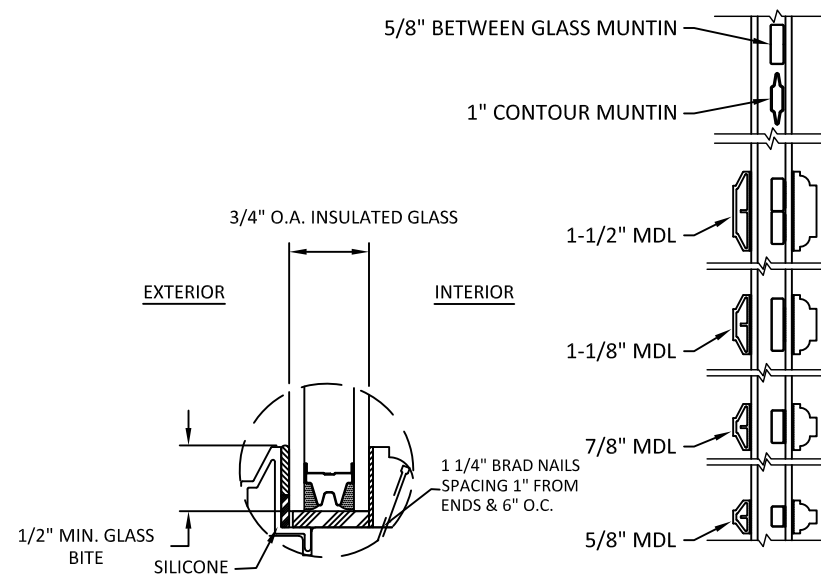


ANDERSEN CORPORATION

E-SERIES HINGED PATIO DOOR TRANSOM - INSWING (NON-HVHZ) (NON-IMPACT)

GENERAL NOTES:

1. THE PRODUCT SHOWN HEREIN IS DESIGNED AND MANUFACTURED TO COMPLY WITH THE CURRENT EDITION FLORIDA BUILDING CODE (FBC), **EXCLUDING** HVHZ AND HAS BEEN EVALUATED ACCORDING TO THE FOLLOWING:
 - AAMA/WDMA/CSA 101/1.S.2/A440-17
2. ADEQUACY OF THE EXISTING STRUCTURAL CONCRETE/MASONRY, 2X FRAMING, AND METAL FRAMING AS A MAIN WIND FORCE RESISTING SYSTEM CAPABLE OF WITHSTANDING AND TRANSFERRING APPLIED PRODUCT LOADS TO THE FOUNDATION IS THE RESPONSIBILITY OF THE ENGINEER OR ARCHITECT OF RECORD FOR THE PROJECT OF INSTALLATION.
3. 1X AND 2X BUCKS (WHEN USED) SHALL BE DESIGNED AND ANCHORED TO PROPERLY TRANSFER ALL LOADS TO THE STRUCTURE. BUCK DESIGN AND INSTALLATION IS THE RESPONSIBILITY OF THE ENGINEER OR ARCHITECT OF RECORD FOR THE PROJECT OF INSTALLATION.
4. THE INSTALLATION DETAILS DESCRIBED HEREIN ARE GENERIC AND MAY NOT REFLECT ACTUAL CONDITIONS FOR A SPECIFIC SITE. IF SITE CONDITIONS CAUSE INSTALLATION TO DEVIATE FROM THE REQUIREMENTS DETAILED HEREIN, A LICENSED ENGINEER OR ARCHITECT SHALL PREPARE SITE SPECIFIC DOCUMENTS FOR USE WITH THIS DOCUMENT IN NON-HVHZ AREAS.
5. APPROVED IMPACT PROTECTIVE SYSTEM **IS REQUIRED** ON THIS PRODUCT IN AREAS REQUIRING IMPACT RESISTANCE.
6. WINDOW FRAME MATERIAL: ALUMINUM CLAD & WOOD.
7. GLASS SHALL MEET THE REQUIREMENTS OF ASTM E 1300 GLASS CHARTS. SEE SHEET 1 FOR GLAZING DETAILS.



GLAZING DETAIL

OPTIONAL MUNTIN BAR ATTACHMENT TO GLASS

- GLAZING NOTES:**
1. GLASS TYPE SHALL COMPLY WITH ASTM E1300 REQUIREMENTS.
 2. SETTING BLOCKS TO BE LOCATED AT 1/4 SPAN LENGTH FOR GLASS WIDER THAN 36" AS PER FBC CHAPTER 24.
 3. SETTING BLOCK DUROMETER HARDNESS OF 70-90 (SHORE A) AS REFERENCED IN FBC CHAPTER 24.
 4. GLASS TYPE SHALL COMPLY WITH APPLICABLE GLAZING REQUIREMENTS PER CHAPTER 24 OF THE FBC

TABLE OF CONTENTS	
SHEET	SHEET DESCRIPTION
1	GENERAL NOTES & GLAZING DETAILS
2	ELEVATIONS & ANCHOR LAYOUTS
3	VERTICAL SECTIONS
4	HORIZONTAL SECTIONS
5	ANCHOR DETAILS & INSTALLATION NOTES
6	ANCHOR DETAILS & SCHEDULE

WINDOW TYPE	OVERALL FRAME SIZE		OVERALL D.L.O. DIMENSION		GLASS TYPE	DESIGN PRESSURE (PSF)	
	WIDTH (IN.)	HEIGHT (IN.)	WIDTH (IN.)	HEIGHT (IN.)		POS.	NEG.
SINGLE	79.0	24.0	71.75	16.62	G1	+60	-60



100 FOURTH AVE NORTH
BAYPORT, MN 55003-1096
PH: (651) 264-5150 FX: (651) 264-5485

TITLE: E-SERIES HINGED PATIO DOOR TRANSOM - INSWING (NON-HVHZ) (NON-IMPACT)

GENERAL NOTES & GLAZING DETAILS

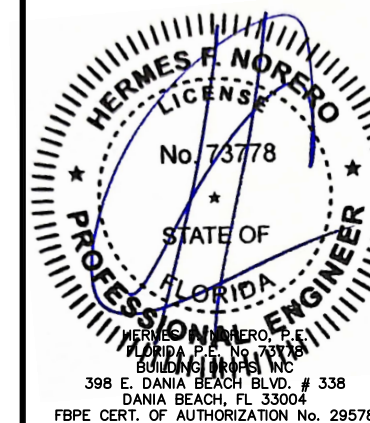
PREPARED BY: BUILDING DROPS, INC.

398 E. DANIA BEACH BLVD., STE. 338
DANIA BEACH, FL 33004
PH: (954) 399-8478
FAX: (954) 744-4738
WEB: www.buildingdrops.com



REMARKS	BY	DATE
6TH FBC EDITION	FM	10/17
7TH FBC CODE CHANGE	NUS	6.29.20
2023 FBC CODE CHANGE	MS	5/31/23

THE INSTALLATION DETAILS DESCRIBED HEREIN ARE GENERIC AND MAY NOT REFLECT ACTUAL CONDITIONS FOR A SPECIFIC SITE. IF SITE CONDITIONS CAUSE INSTALLATION TO DEVIATE FROM THE REQUIREMENTS DETAILED HEREIN, A LICENSED ENGINEER OR ARCHITECT SHALL PREPARE SITE SPECIFIC DOCUMENTS FOR USE WITH THIS DOCUMENT.



FL #: **FL24230**

DATE: **10.16.17**

DWG. BY: **RV** CHK. BY: **HFN**

SCALE: **NTS**

DWG. #: **AWD216**

SHEET

1

s:\projects\andersen windows\cc-23-0406 - fbc 2023 code change (8th edition)\024230\dwgs\awd216 - e-series hinged patio door transom - inswing (non-hvhz)(non-impact).dwg 6/9/2023 8:05 AM



100 FOURTH AVE NORTH
BAYPORT, MN 55003-1096
PH: (651) 264-5150 FX: (651) 264-5485

TITLE: E-SERIES HINGED PATIO
DOOR TRANSOM - INSWING
(NON-HVHZ) (NON-IMPACT)

ELEVATIONS & ANCHOR LAYOUTS

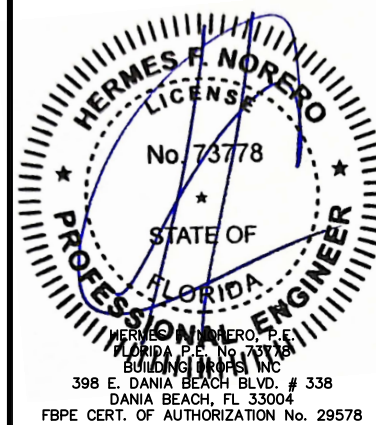
PREPARED BY:

BUILDING DROPS, INC.
398 E. DANIA BEACH BLVD., STE. 338
DANIA BEACH, FL 33004
PH: (954) 399-8478
FAX: (954) 744-4738
WEB: www.buildingdrops.com



REMARKS	BY	DATE
6TH FBC EDITION	FM	10/17
7TH FBC CODE CHANGE	NUS	6.29.20
2023 FBC CODE CHANGE	MS	5/31/23

THE INSTALLATION DETAILS DESCRIBED HEREIN ARE GENERIC AND MAY NOT REFLECT ACTUAL CONDITIONS FOR A SPECIFIC SITE. IF SITE CONDITIONS CAUSE INSTALLATION TO DEVIATE FROM THE REQUIREMENTS DETAILED HEREIN, A LICENSED ENGINEER OR ARCHITECT SHALL PREPARE SITE SPECIFIC DOCUMENTS FOR USE WITH THIS DOCUMENT.



FL #: **FL24230**

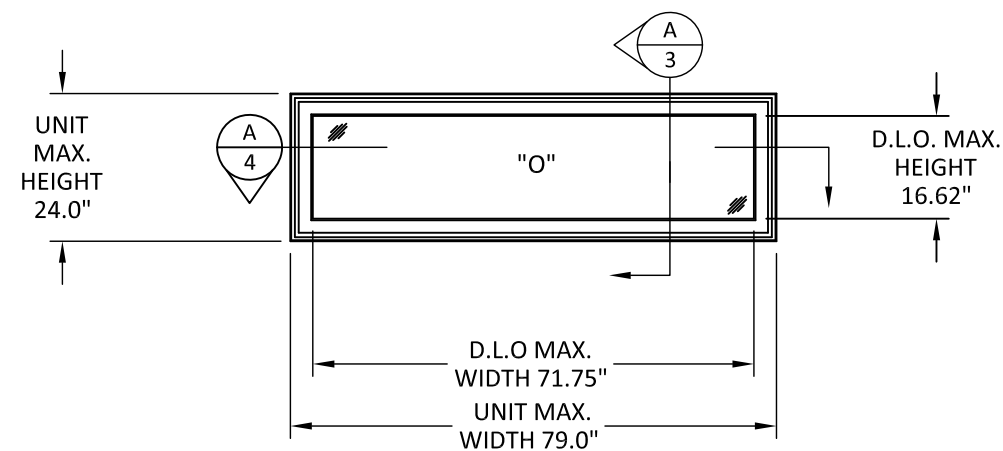
DATE: **10.16.17**

DWG. BY: **RV** CHK. BY: **HFN**

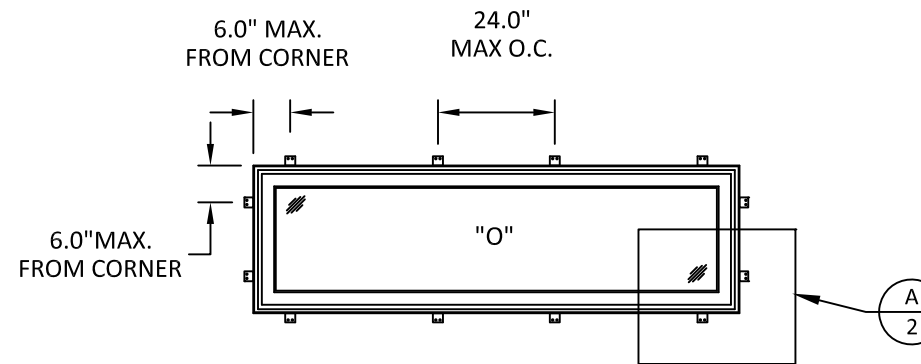
SCALE: **NTS**

DWG. #: **AWD216**

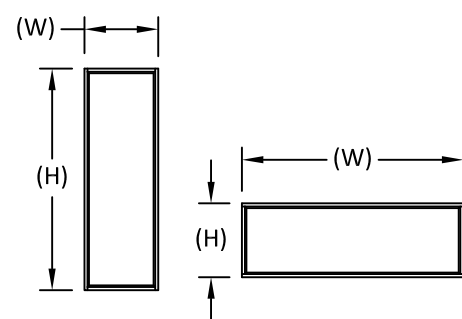
SHEET
2



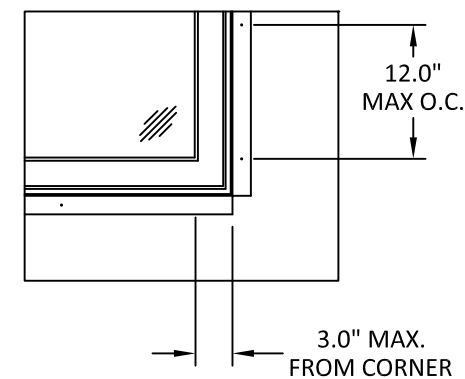
ELEVATION



ANCHOR LAYOUT THROUGH FRAME



NOTE:
WINDOW WIDTH (W) AND HEIGHT (H) ARE INTERCHANGEABLE FOR ALL SIZES SHOWN HEREIN NOT TO EXCEED MAXIMUM TESTED SQUARE FOOT AREA. ANCHOR SPACING SHALL NOT EXCEED THOSE SHOWN FOR LONG OR SHORT LEG OF UNIT.



A/2

ANCHOR LAYOUT

NAIL FIN



100 FOURTH AVE NORTH
 BAYPORT, MN 55003-1096
 PH: (651) 264-5150 FX: (651) 264-5485

TITLE: E-SERIES HINGED PATIO
 DOOR TRANSOM - INSWING
 (NON-HVHZ) (NON-IMPACT)

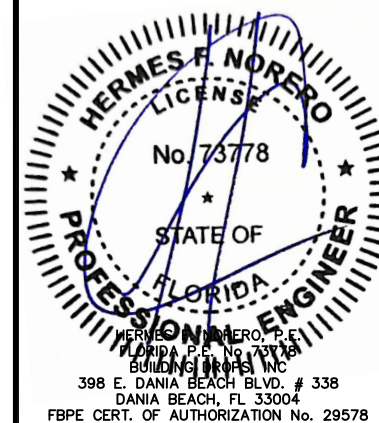
VERTICAL SECTIONS

PREPARED BY:
 BUILDING DROPS, INC.
 398 E. DANIA BEACH BLVD., STE. 338
 DANIA BEACH, FL 33004
 PH: (954) 399-8478
 FAX: (954) 744-4738
 WEB: www.buildingdrops.com



REMARKS	BY	DATE
6TH FBC EDITION	FM	10/17
7TH FBC CODE CHANGE	NUS	6.29.20
2023 FBC CODE CHANGE	MS	5/31/23

THE INSTALLATION DETAILS DESCRIBED HEREIN ARE GENERIC AND MAY NOT REFLECT ACTUAL CONDITIONS FOR A SPECIFIC SITE. IF SITE CONDITIONS CAUSE INSTALLATION TO DEVIATE FROM THE REQUIREMENTS DETAILED HEREIN, A LICENSED ENGINEER OR ARCHITECT SHALL PREPARE SITE SPECIFIC DOCUMENTS FOR USE WITH THIS DOCUMENT.



FL #: **FL24230**

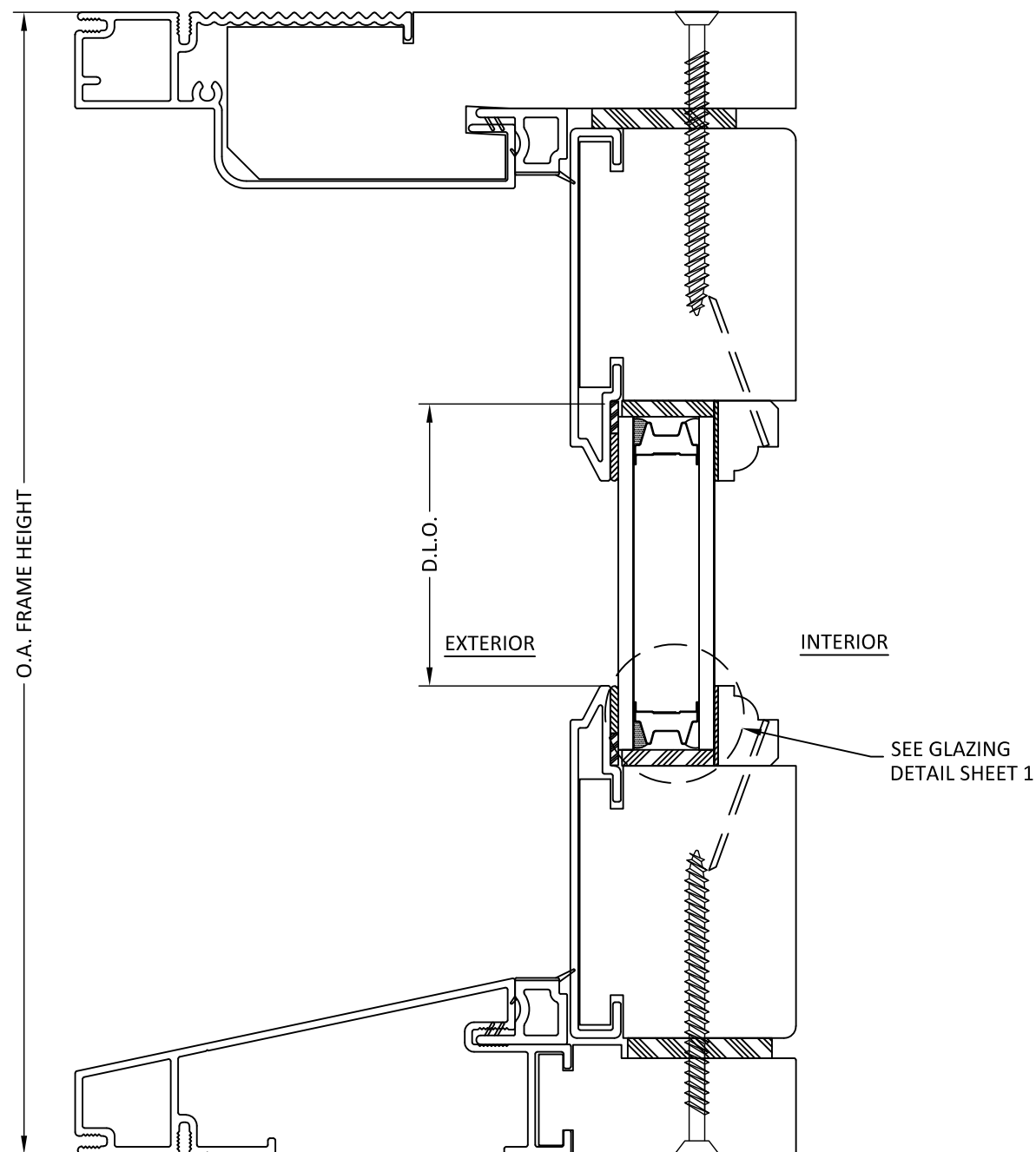
DATE: **10.16.17**

DWG. BY: **RV** CHK. BY: **HFN**

SCALE: **NTS**

DWG. #: **AWD216**

SHEET
3



A
3 **VERTICAL SECTION**



100 FOURTH AVE NORTH
BAYPORT, MN 55003-1096
PH: (651) 264-5150 FX: (651) 264-5485

TITLE: E-SERIES HINGED PATIO
DOOR TRANSOM - INSWING
(NON-HVHZ) (NON-IMPACT)

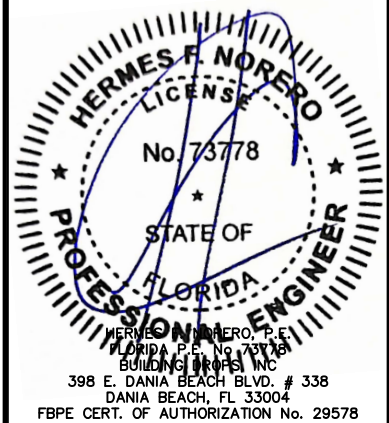
HORIZONTAL SECTIONS

PREPARED BY:
BUILDING DROPS, INC.
398 E. DANIA BEACH BLVD., STE. 338
DANIA BEACH, FL 33004
PH: (954) 399-8478
FAX: (954) 744-4738
WEB: www.buildingdrops.com



REMARKS	BY	DATE
6TH FBC EDITION	FM	10/17
7TH FBC CODE CHANGE	NUS	6.29.20
2023 FBC CODE CHANGE	MS	5/31/23

THE INSTALLATION DETAILS DESCRIBED HEREIN ARE GENERIC AND MAY NOT REFLECT ACTUAL CONDITIONS FOR A SPECIFIC SITE. IF SITE CONDITIONS CAUSE INSTALLATION TO DEVIATE FROM THE REQUIREMENTS DETAILED HEREIN, A LICENSED ENGINEER OR ARCHITECT SHALL PREPARE SITE SPECIFIC DOCUMENTS FOR USE WITH THIS DOCUMENT.



FL #: **FL24230**

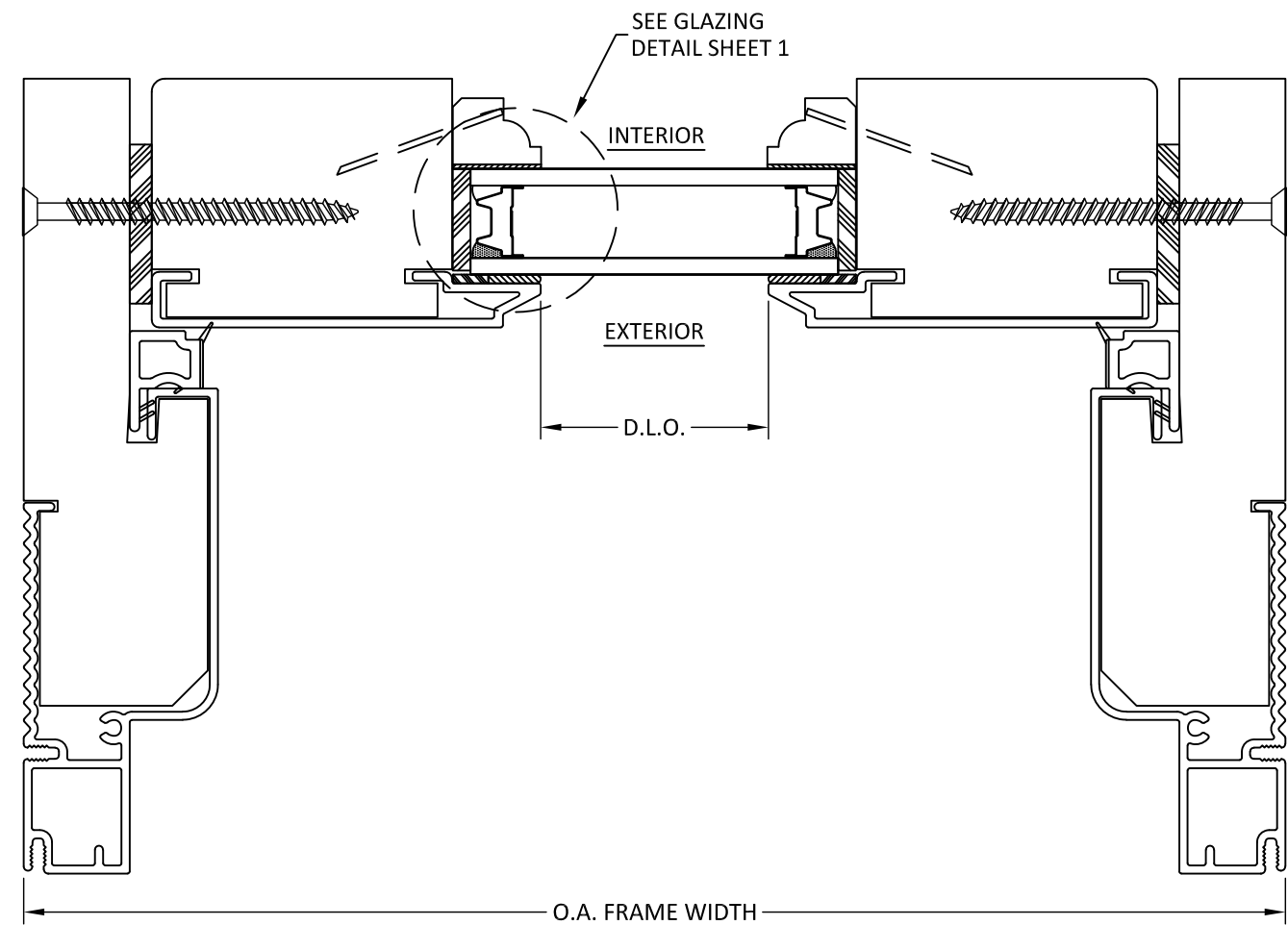
DATE: **10.16.17**

DWG. BY: **RV** CHK. BY: **HFN**

SCALE: **NTS**

DWG. #: **AWD216**

SHEET **4**

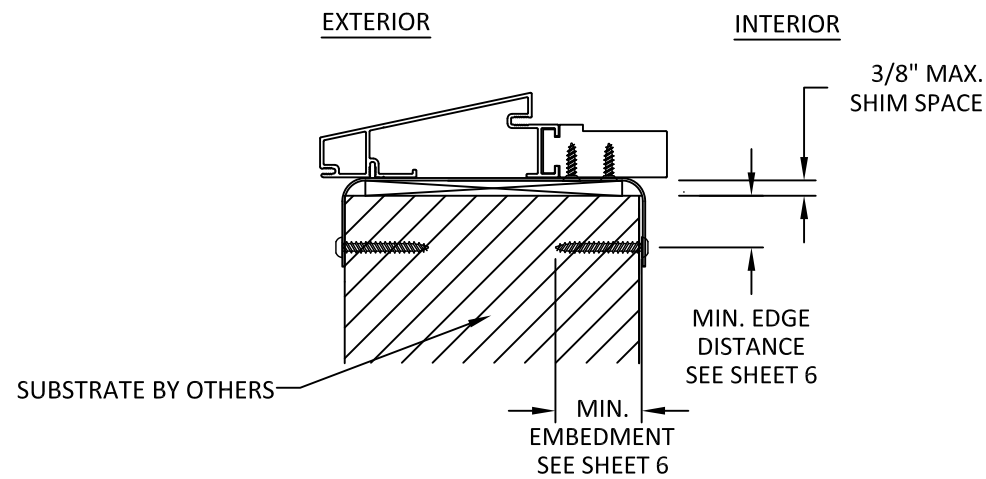


A
4

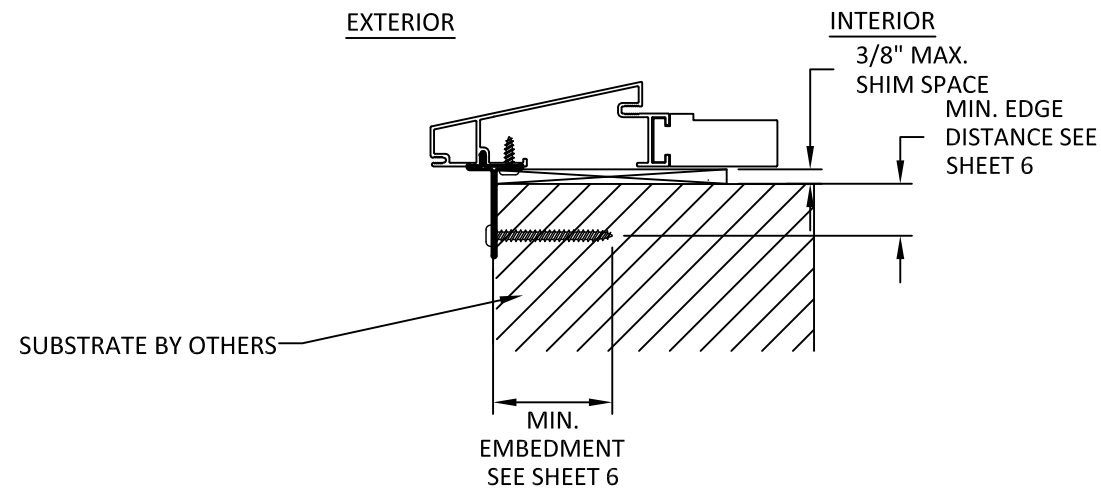
HORIZONTAL SECTION

s:\projects\andersen_windows\cc-23-0406 - fbc 2023 code change (8th edition)\124230\dwgs\awd216 - e-series hinged patio door transom - inswing (non-hvhz)(non-impact).dwg 6/9/2023 8:05 AM

6/9/2023 8:05 AM
s:\projects\andersen\windows\cc-23-0406-fbc-2023 code change (8th edition)\124230\dwgs\awd216-e-series hinged patio door-transom-inswing (non-hvhz)(non-impact).dwg

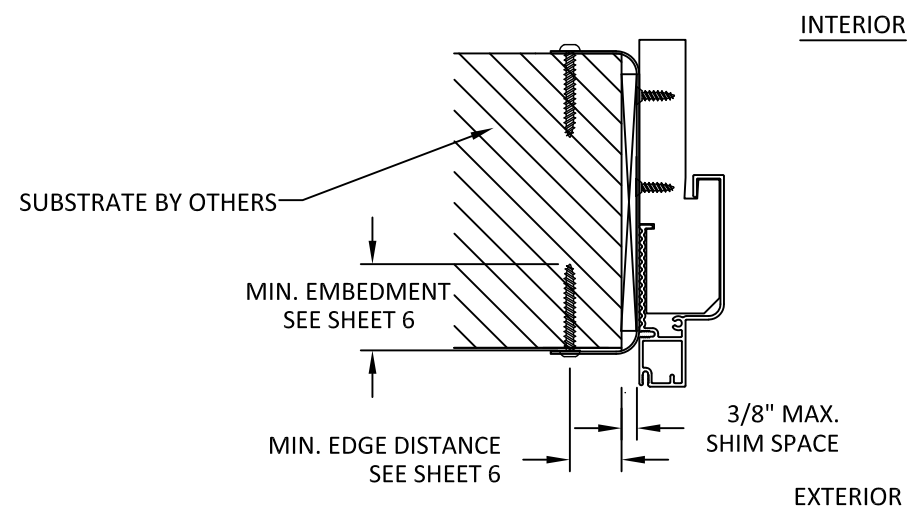


A
5 **ANCHOR DETAIL**
STRAP ANCHOR (SILL)



B
5 **ANCHOR DETAIL**
NAIL FIN (SILL)

-HEAD AND JAMB HAVE
SIMILAR DETAILS



C
5 **ANCHOR DETAIL**
STRAP ANCHOR (JAMB)

INSTALLATION NOTES:

- ONE (1) INSTALLATION ANCHOR IS REQUIRED AT EACH ANCHOR LOCATION SHOWN.
- THE NUMBER OF INSTALLATION ANCHORS DEPICTED IS THE MINIMUM NUMBER OF ANCHORS TO BE USED FOR PRODUCT INSTALLATION OF THE MAXIMUM SIZE LISTED.
- INSTALL INDIVIDUAL INSTALLATION ANCHORS WITHIN A TOLERANCE OF ± 1.000 INCH THE DEPICTED LOCATION & SPACING IN THE ANCHOR LAYOUT DETAILS (I.E., WITHOUT CONSIDERATION OF TOLERANCES). TOLERANCES ARE NOT CUMULATIVE FROM ONE INSTALLATION ANCHOR TO THE NEXT.
- SHIM AS REQUIRED AT EACH INSTALLATION ANCHOR WITH LOAD BEARING SHIM(S). MAXIMUM ALLOWABLE SHIM STACK TO BE 3/8 INCH. SHIM WHERE SPACE OF 1/16 INCH OR GREATER OCCURS. SHIM(S) SHALL BE CONSTRUCTED OF HIGH DENSITY PLASTIC OR BETTER.
- MINIMUM EMBEDMENT AND EDGE DISTANCE EXCLUDE WALL FINISHES, INCLUDING BUT NOT LIMITED TO STUCCO, FOAM, BRICK VENEER, AND SIDING.
- INSTALLATION ANCHORS AND ASSOCIATED HARDWARE MUST BE MADE OF CORROSION RESISTANT MATERIAL OR HAVE A CORROSION RESISTANT COATING.
- FOR MASONRY OR CONCRETE OPENINGS, A 1X WOOD BUCK MAY BE USED (OPTIONAL) AS LONG AS THE MINIMUM EMBEDMENT AND EDGE DISTANCE REQUIREMENTS ARE STILL MET WITHIN THE CORRESPONDING HOST SUBSTRATE. SEE GENERAL NOTE #3 ON SHEET 1 FOR MORE INFORMATION.
- FOR HOLLOW BLOCK AND GROUT FILLED BLOCK, DO NOT INSTALL INSTALLATION ANCHORS INTO MORTAR JOINTS. EDGE DISTANCE IS MEASURED FROM FREE EDGE OF BLOCK OR EDGE OF MORTAR JOINT INTO FACE SHELL OF BLOCK.
- INSTALLATION ANCHORS SHALL BE INSTALLED IN ACCORDANCE WITH ANCHOR MANUFACTURER'S INSTALLATION INSTRUCTIONS, AND ANCHORS SHALL NOT BE USED IN SUBSTRATES WITH STRENGTHS LESS THAN THE MINIMUM STRENGTH SPECIFIED BY THE ANCHOR MANUFACTURER.



100 FOURTH AVE NORTH
BAYPORT, MN 55003-1096
PH: (651) 264-5150 FX: (651) 264-5485

TITLE: E-SERIES HINGED PATIO
DOOR TRANSOM - INSWING
(NON-HVHZ) (NON-IMPACT)

ANCHOR DETAILS & INSTALLATION NOTES

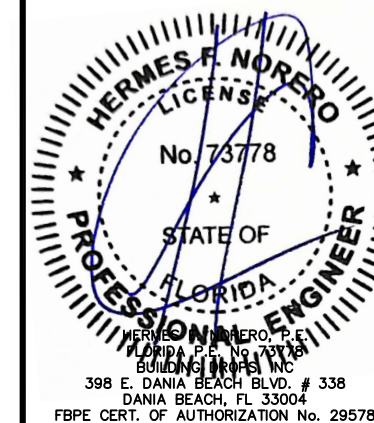
PREPARED BY:

BUILDING DROPS, INC.
398 E. DANIA BEACH BLVD., STE. 338
DANIA BEACH, FL 33004
PH: (954) 399-8478
FAX: (954) 744-4738
WEB: www.buildingdrops.com



REMARKS	BY	DATE
6TH FBC EDITION	FM	10/17
7TH FBC CODE CHANGE	NUS	6.29.20
2023 FBC CODE CHANGE	MS	5/31/23

THE INSTALLATION DETAILS DESCRIBED HEREIN ARE GENERIC AND MAY NOT REFLECT ACTUAL CONDITIONS FOR A SPECIFIC SITE. IF SITE CONDITIONS CAUSE INSTALLATION TO DEVIATE FROM THE REQUIREMENTS DETAILED HEREIN, A LICENSED ENGINEER OR ARCHITECT SHALL PREPARE SITE SPECIFIC DOCUMENTS FOR USE WITH THIS DOCUMENT.



FL #:	FL24230
DATE:	10.16.17
DWG. BY:	RV
CHK. BY:	HFN
SCALE:	NTS
DWG. #:	AWD216

SHEET
5

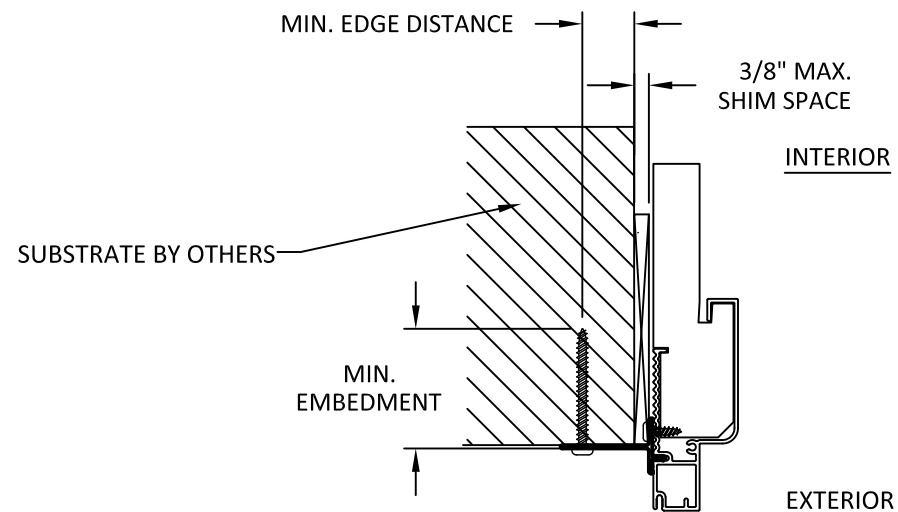


100 FOURTH AVE NORTH
BAYPORT, MN 55003-1096
PH: (651) 264-5150 FX: (651) 264-5485

TITLE: E-SERIES HINGED PATIO
DOOR TRANSOM - INSWING
(NON-HVHZ) (NON-IMPACT)

ANCHOR DETAILS & SCHEDULE

PREPARED BY:
BUILDING DROPS, INC.
398 E. DANIA BEACH BLVD., STE. 338
DANIA BEACH, FL 33004
PH: (954)399-8478
FAX: (954)744-4738
WEB: www.buildingdrops.com

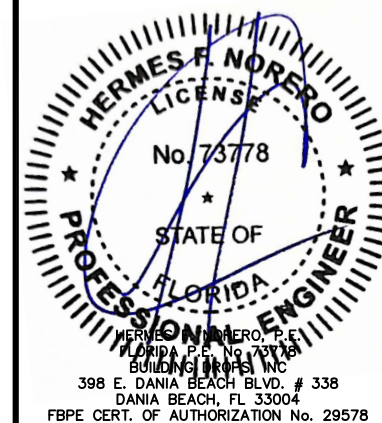


-HEAD AND JAMB HAVE
SIMILAR DETAILS

A
6 **ANCHOR DETAIL**
NAIL FIN (JAMB)

ANCHOR SCHEDULE				
METHOD	SUBSTRATE	ANCHOR SCHEDULE	MIN EMBEDMENT	MIN. EDGE DISTANCE
STRAP ANCHOR	WOOD: MIN. SG = 0.55	#8 WOOD SCREW	1.5"	0.75"
	METAL: 18 GAUGE, MIN. Fy=33KSI	#8 TEK SCREW	3 THREADS MIN PENETRATION BEYOND METAL	0.75"
NAIL FIN	WOOD: MIN. SG = 0.55	#8 WOOD SCREW	1.5"	0.75"
	METAL: 18 GAUGE Steel, MIN. Fy=33KSI	#8 TEK SCREW	3 THREADS MIN PENETRATION BEYOND METAL	0.75"

THE INSTALLATION DETAILS DESCRIBED HEREIN ARE GENERIC AND MAY NOT REFLECT ACTUAL CONDITIONS FOR A SPECIFIC SITE. IF SITE CONDITIONS CAUSE INSTALLATION TO DEVIATE FROM THE REQUIREMENTS DETAILED HEREIN, A LICENSED ENGINEER OR ARCHITECT SHALL PREPARE SITE SPECIFIC DOCUMENTS FOR USE WITH THIS DOCUMENT.



FL #: **FL24230**

DATE: **10.16.17**

DWG. BY: **RV** CHK. BY: **HFN**

SCALE: **NTS**

DWG. #: **AWD216**

SHEET
6